



HELIOS RENEWABLE
ENERGY
PROJECT

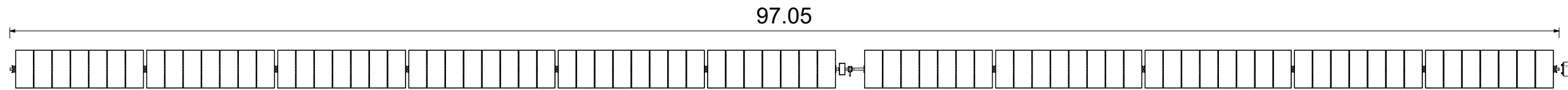
PINS Document Number:
EN010140/APP/6.2.3.4

Pursuant to:
APFP Regulation 5(2)(a)

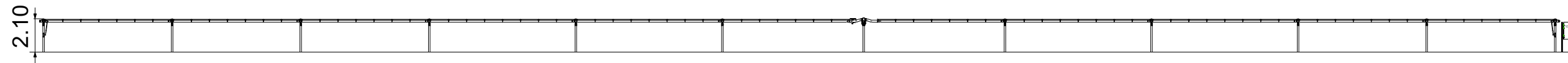
Environmental Statement Figure 3.4: Solar PV Panel Elevations

June 2024

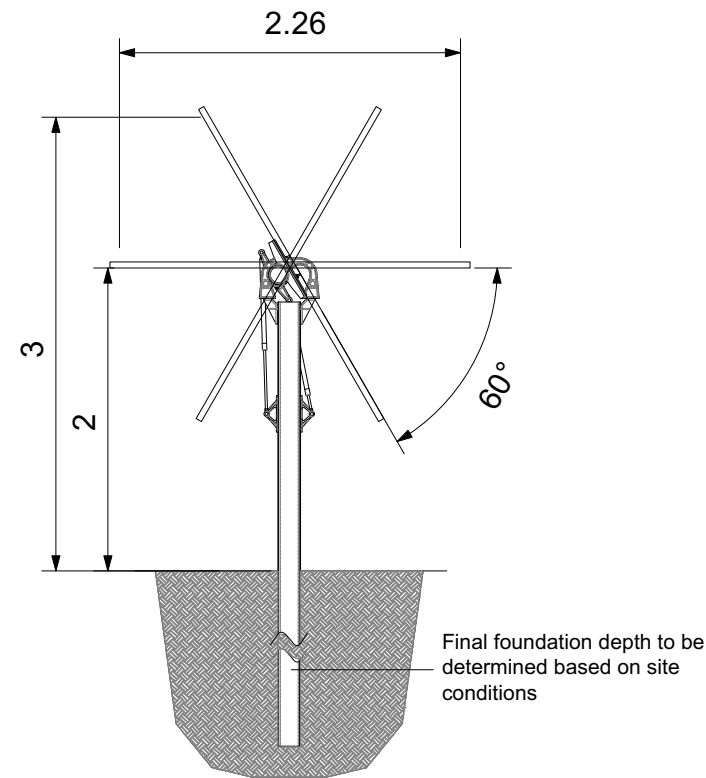




PLAN VIEW (not to scale)



FRONT ELEVATION (not to scale)



SIDE ELEVATION (Scale 1:50)



GENERAL NOTES:

- 1) ALL DIMENSIONS ARE IN METERS UNLESS SPECIFIED.
- 2) FINAL DIMENSIONS MAY VARY DEPENDING ON MODULE TYPE

Revisions:
 First Issue- 30/03/2022 JS
 01 - (09/01/2024 JS) Revised panels



Enso Energy Limited, Unit 1 & 2 Cirencester Office Park,
 Tetbury Road, Cirencester, GL7 6JJ
 Tel: 01452 764685 Email: enquires@ensoenergy.co.uk

Project Title:
Helios Renewable Energy Project

Drawing Title:
**Figure 3.4
 Solar PV Panel Elevations**

DRWG No: DX-01-P03	Rev: 01	Sht no: -
Drawn by : JS	Checked by: KL	
Scale: As noted @ A3	Date: 09/01/2024	